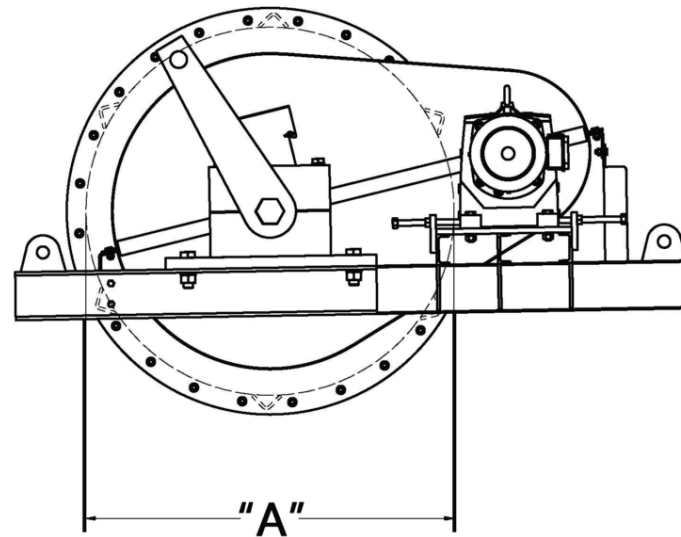
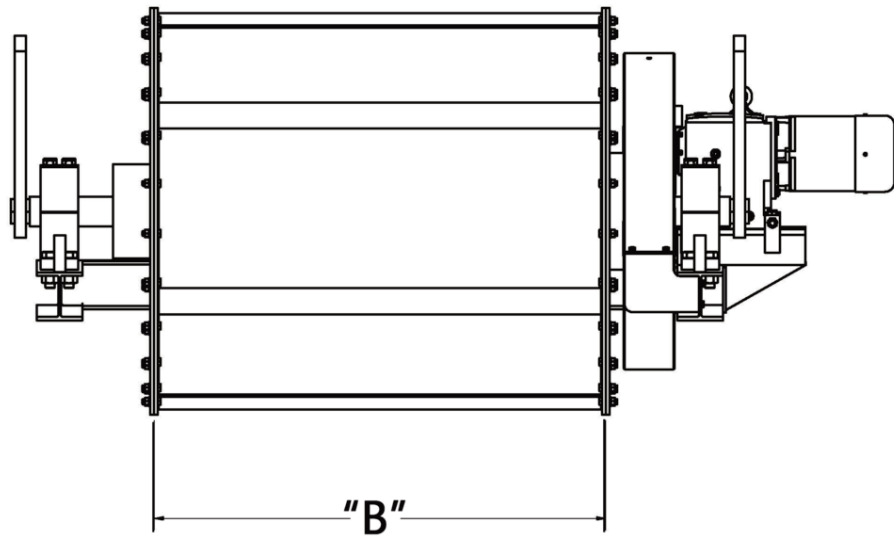
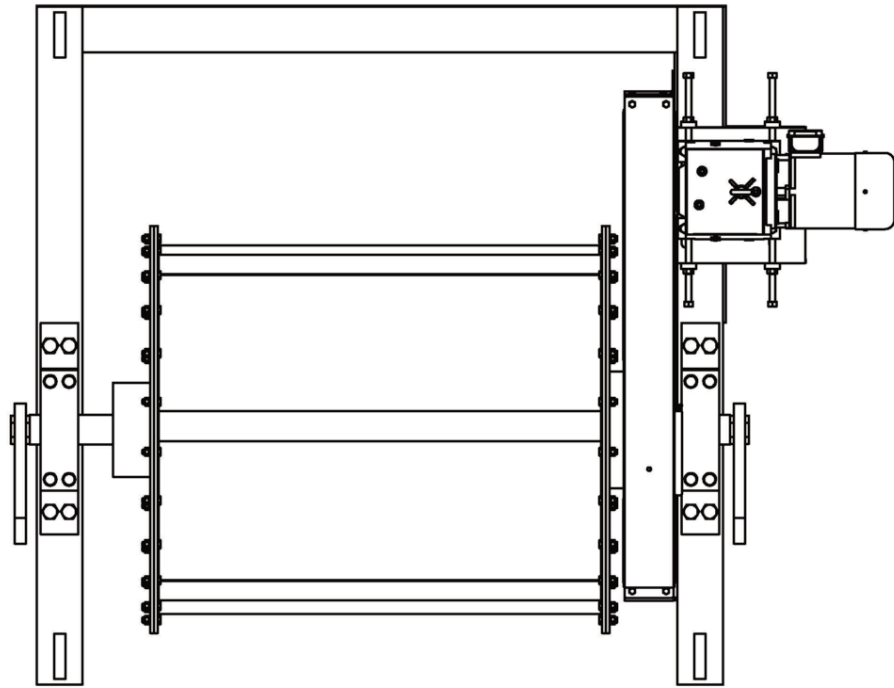


DRUM SIZES AVAILABLE



150 Degree Arc Radial Pole Magnet Assembly						
Diameter ("A")						
Width ("B")	24"	30"	36"	42"	48"	60"
24"	X					
30"	X	X				
36"	X	X	X			
42"	X	X	X	X		
48"	X	X	X	X	X	
54"		X	X	X	X	
60"		X	X	X	X	X
66"			X	X	X	X
72"			X	X	X	X
78"			X	X	X	X
84"			X	X	X	X

170 Degree Arc Radial Pole Magnet Assembly						
Diameter ("A")						
Width ("B")	24"	30"	36"	42"	48"	60"
24"						
30"		X				
36"		X	X			
42"		X	X	X		
48"		X	X	X	X	
54"		X	X	X	X	
60"		X	X	X	X	X
66"			X	X	X	X
72"			X	X	X	X
78"			X	X	X	X
84"			X	X	X	X

180 Degree Arc Lateral Pole Magnet Assembly						
Diameter ("A")						
Width ("B")	24"	30"	36"	42"	48"	60"
24"	X					
30"	X	X				
36"	X	X	X			
42"	X	X	X	X		
48"	X	X	X	X		
54"		X	X	X		
60"		X	X	X		
66"			X	X		
72"			X	X		
78"			X	X		
84"			X	X		

THIS MATERIAL IS PROPERTY OF DINGS COMPANY. NO RIGHTS ARE GRANTED TO USE SUCH MATERIAL FOR ANY PURPOSE OTHER THAN (1) PRODUCT EVALUATION OR MAINTENANCE OR (2) THE FURNISHING OF SERVICES AND SUPPLIES TO THE DINGS COMPANY.

CERTIFIED PRINT		USE ONLY FOR	
YOUR ORDER		O.K.	
OUR ORDER			
CUSTOMER			
DATE			
		DRAWING NUMBER	
		SHEET REV #	
		1 of 1	

TITLE DEEP DRAW DRUM OUTLINE WITH FRAME AND DRIVE			
TOLERANCE UNLESS OTHERWISE NOTED <small>.000 ± .002 FRACTIONS ± 1/16" .00 ± .05 ANGLES ± 1°</small>			
DRAWN BY ADH	SCALE		
DATE 6/3/2013	SHEET SIZE D		
REFER TO			