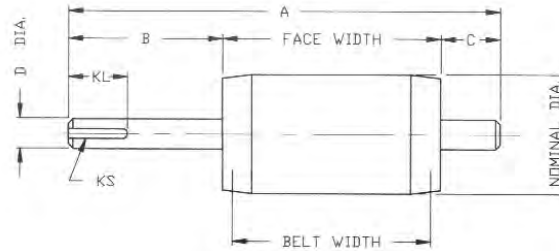




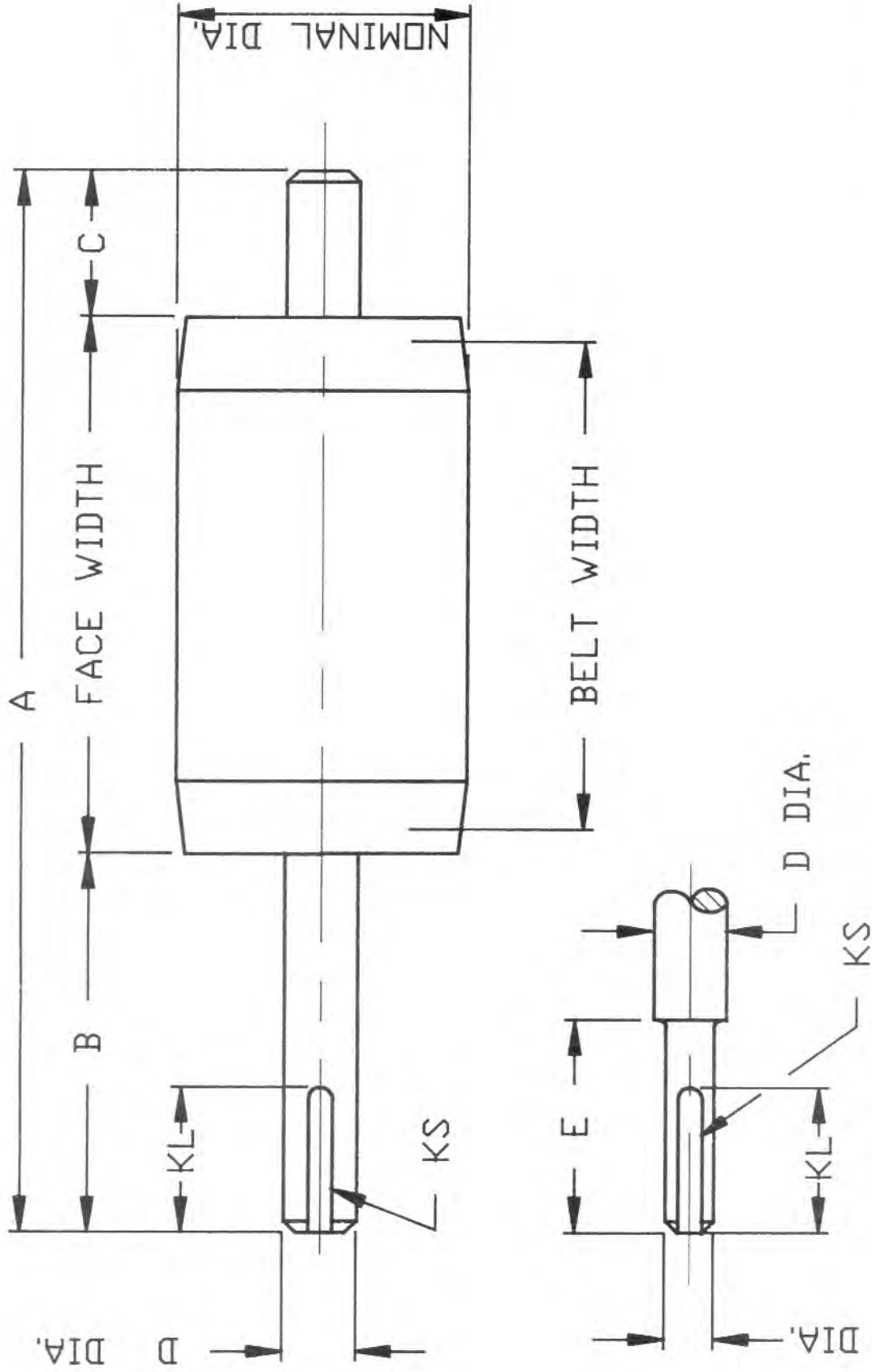
**PERMA PULLEY
DIMENSIONS**



ALL
DIMENSIONS
IN INCHES

NOMINAL DIAMETER	BELT WIDTH	FACE WIDTH	A	B	C	D	KL	KS
12	12	14	28 1/4	9	5 1/4	1 15/16	3 1/2	1/2X1/4
	14	16	30 1/4	9	5 1/4	1 15/16	3 1/2	1/2X1/4
	16	18	32 1/4	9	5 1/4	1 15/16	3 1/2	1/2X1/4
	18	20	34 1/4	9	5 1/4	1 15/16	3 1/2	1/2X1/4
	20	22	34 1/4	9	5 1/4	1 15/16	3 1/2	1/2X1/4
	24	26	43 1/4	11	6 1/4	2 7/16	4 1/2	5/8X5/16
	30	32	49 1/4	11	6 1/4	2 7/16	4 1/2	5/8X5/16
	36	38	55 1/4	11	6 1/4	2 7/16	4 1/2	5/8X5/16
15	42	44	63 3/4	12 1/4	7 1/2	2 15/16	4 1/2	3/4X3/8
	48	50	70 3/4	12 3/4	8	2 15/16	4 1/2	3/4X3/8
	16	18	35 1/4	11	6 1/4	2 7/16	4 1/2	5/8X5/16
	18	20	37 1/4	11	6 1/4	2 7/16	4 1/2	5/8X5/16
	20	22	39 1/4	11	6 1/4	2 7/16	4 1/2	5/8X5/16
	24	26	45 3/4	12 1/4	7 1/2	2 15/16	4 1/2	3/4X3/8
	30	32	51 3/4	12 1/4	7 1/2	2 15/16	4 1/2	3/4X3/8
	36	38	57 3/4	12 1/4	7 1/2	2 15/16	4 1/2	3/4X3/8
18	42	44	69 1/4	15 1/2	9 3/4	3 7/16	5 1/2	7/8X7/16
	48	51	76 1/4	16	10 1/4	3 7/16	5 1/2	1X1/2
	18	20	37 1/4	11	6 1/4	2 7/16	4 1/2	5/8X5/16
	20	22	41 3/4	12 1/4	7 1/2	2 15/16	4 1/2	3/4X3/8
	24	26	45 3/4	12 1/4	7 1/2	2 15/16	4 1/2	3/4X3/8
	30	32	51 3/4	12 1/4	7 1/2	2 15/16	4 1/2	3/4X3/8
	36	38	63 1/4	15 1/2	9 3/4	3 7/16	5 1/2	7/8X7/16
	42	44	69 1/4	15 1/2	9 3/4	3 7/16	5 1/2	7/8X7/16
20	48	50	78 1/4	17	11 1/4	3 15/16	5 1/2	1X1/2
	20	22	41 3/4	12 1/4	7 1/2	2 15/16	4 1/2	3/4X3/8
	24	26	51 1/4	15 1/2	9 3/4	3 7/16	5 1/2	7/8X7/16
	30	32	57 1/4	15 1/2	9 3/4	3 7/16	5 1/2	7/8X7/16
	36	38	63 1/4	15 1/2	9 3/4	3 7/16	5 1/2	7/8X7/16
	42	44	71 1/4	16 1/2	10 3/4	3 15/16	5 1/2	1X1/2
	48	51	81 1/4	19	12 1/4	4 7/16	6 1/2	1X1/2
	54	57	87 1/4	19	12 1/4	4 7/16	6 1/2	1X1/2
24	60	63	93 1/4	19	12 1/4	4 7/16	6 1/2	1X1/2
	24	26	51 1/4	15 1/2	9 3/4	3 7/16	5 1/2	7/8X7/16
	30	32	59 1/4	16 1/2	10 3/4	3 15/16	5 1/2	1X1/2
	36	38	65 1/4	16 1/2	10 3/4	3 15/16	5 1/2	1X1/2
	42	44	74 1/4	18 1/2	11 3/4	4 7/16	6 1/2	1X1/2
	48	51	81 1/4	19	12 1/4	4 7/16	6 1/2	1X1/2
	54	57	90 1/4	21	13 1/4	4 15/16	7 1/2	1 1/4X5/8
	60	63	96 1/4	21	13 1/4	4 15/16	7 1/2	1 1/4X5/8
30	24	26	56 1/4	18 1/2	11 3/4	4 7/16	6 1/2	1X1/2
	30	32	62 1/4	18 1/2	11 3/4	4 7/16	6 1/2	1X1/2
	36	38	68 1/4	18 1/2	11 3/4	4 7/16	6 1/2	1X1/2
	42	44	77 1/4	20 1/2	12 3/4	4 15/16	7 1/2	1 1/4X5/8
	48	51	84 1/4	20 1/2	12 3/4	4 15/16	7 1/2	1 1/4X5/8
	54	57	96	24 1/2	14 1/2	5 7/16	9 1/2	1 1/4X5/8
	60	63	102	24 1/2	14 1/2	5 7/16	9 1/2	1 1/4X5/8
	36	30	32	65 1/4	20 1/2	12 3/4	4 15/16	7 1/2
36		38	71 1/4	20 1/2	12 3/4	4 15/16	7 1/2	1 1/4X5/8
42		44	81 1/4	22 1/2	14 3/4	5 15/16	9 1/2	1 1/2X3/4
48		50	87 1/4	22 1/2	14 3/4	5 15/16	9 1/2	1 1/2X3/4
54		56	97 1/4	24 1/2	16 3/4	6 1/2	12	1 1/2X3/4
60		62	103 1/4	24 1/2	16 3/4	6 1/2	12	1 1/2X3/4
42	36	39	80 1/4	24 1/2	16 3/4	6 1/2	12	1 1/2X3/4
	42	45	86 1/4	24 1/2	16 3/4	6 1/2	12	1 1/2X3/4
	48	51	92 1/4	24 1/2	16 3/4	6 1/2	12	1 1/2X3/4
	54	57	100 1/4	25 1/2	17 3/4	7	12	1 1/2X3/4
	60	63	106 1/4	25 1/2	17 3/4	7	12	1 1/2X3/4

CONTACT FACTORY ON LARGER AND SMALLER SIZES. DIMENSIONS NOT FOR CONSTRUCTION UNLESS CERTIFIED.



OPTIONAL SHAFT END

A	B	C	D	E	D1	E	KS	KL

OUTLINE DIMENSIONS
 DFC PERMA PULLEY
 ___ DIA. x ___ BELT WIDTH.

DWG. NO. FORM 1015