



S W E E P E R S

For more than 100 years, Dings Co. has been manufacturing a quality line of magnetic products. Dings permanent magnetic sweepers cost nothing to operate, need very little maintenance, and have heavy-duty pickup power. They pay for themselves in a few months by protecting tires from damage.

By simply moving the magnetic sweeper over areas that need to be cleaned, the magnet automatically picks up loose pieces of ferrous material more effectively than vacuum or power sweepers. Just select the model and size to fit your application, and put a Dings Magnetic Sweeper to work for you.

Road sweepers vary in type of mounting, magnetic strength, type of discharge, and width of path cleaned by the magnet. Magnetic strength determines road clearance and speed at which model can be operated. Greater strength is required for uneven surfaces.

S E L E C T I O N G U I D E		
	YARD MAGNET	TIREGUARD
Walk-behind Type		✓
Forklift Mount		✓ ¹
Bracket Mount (attaches to vehicle bumper)	✓ ²	✓ ¹
Trailer Type (for towing)		✓
Maximum Clearance ³	2 in.	2 in.
Max. Sweeping Speed	12 mph	12 mph
Sweeping Width	3 - 7 ft.	3 - 7 ft.

1 - Wheels and towbar can be removed to use Tireguard with forklift or on vehicle bumper.

2 - Yard Magnet has eyebolt mount for suspending from vehicle.

3 - Relationship of clearance above roadway to sweeping speed is described in each product section.

Yard Magnet Road Sweeper

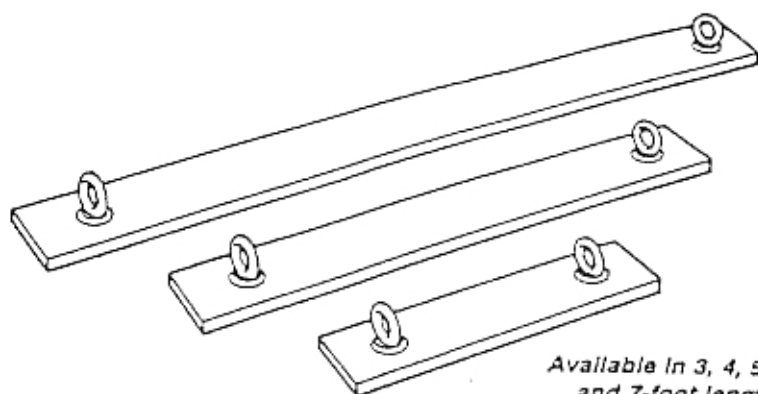
- Eyebolt mount for suspending from vehicle.
- Steel construction more durable than aluminum models.
- Permanent magnet costs nothing to operate.
- Pays for itself by reducing flat tires and keeping vehicles in service.

Great value: low price yet built to last.

Keep vehicle areas free from tire-damaging nails, screws, rivets, and wire with Dings all-steel Yard Magnet. The Yard Magnet can drastically reduce tire repair and replacement costs, and eliminate down-time expenses by keeping vehicles in service. Designed to hang under utility vehicles, it provides continual, maintenance-free protection. All it requires is a manual cleaning when the magnet is loaded. And because Dings magnets are permanent and nonelectric, they cost nothing to operate.

The Yard Magnet's carbon steel and stainless steel construction is more durable than other aluminum models on the market. The magnetism is covered by a lifetime warranty.

This 4-7/8 in. wide magnet is available in 3- to 7-foot lengths.



Available in 3, 4, 5, 6, and 7-foot lengths.

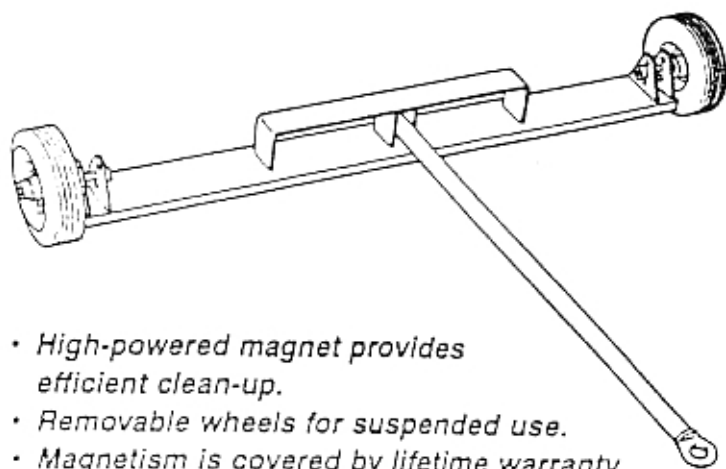
Magnet Operating Height

Clearance above roadway can be adjusted. Lower settings allow higher speeds. Speeds and clearances for pickup of large, loose nails:

MAX. CLEARANCE	MAX. SPEED
1/2 in.	12 mph
1-1/4 in.	8 mph
2 in.	4 mph

Smaller steel objects may require lower settings.

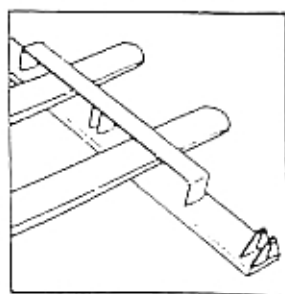
Tireguard



- High-powered magnet provides efficient clean-up.
- Removable wheels for suspended use.
- Magnetism is covered by lifetime warranty.

Economical, versatile, lightweight, and tough.

The Tireguard is a power-packed permanent magnet, for large and small traffic areas. Tow it like a trailer, or remove the towbar and wheels to hang it on a bumper or on the forks of a lift truck.



Tireguard can be towed, lifted, or pushed.

The magnet body is built with heavy-gauge welded steel. The bottom is stainless steel – flat and smooth for easy wipe-off of attracted debris.

Towbar includes eyebolt hitch. Maximum towing speed to sweeping location is 20 mph; maximum sweeping speed is 12 mph.

Magnetism is permanent and is covered by a lifetime warranty.

Available in 3- to 7-foot sweeping widths, Tireguards are easy to use, have no operating costs, and require no maintenance beyond occasional wheel lubrication.

Magnet Operating Height

Clearance above roadway (magnet height) is adjustable. Lower settings allow higher speeds. Speeds and clearances for pickup of large, loose nails:

MAX. CLEARANCE	MAX. SPEED
1/2 in.	12 mph
1-1/4 in.	8 mph
2 in.	4 mph

Smaller steel objects may require lower settings.

S P E C I F I C A T I O N S

Sizes	5 magnet sizes: 3, 4, 5, 6, or 7-foot sweeping widths
Overall Widths	Width across wheels is 7-1/2 in. greater than sweeping width.
Overall Length	45 in. over towbar.
Wheels	8 in. diameter solid rubber, ball bearings.
Towbar	Heavy steel, bolted to lift bracket, pivots up and down, welded eyebolt, 1 in. hole diameter.
Magnet Body	Welded steel and stainless steel encases magnet material, height adjustable to three road clearances.
Lift Bracket	Welded to magnet body, accepts forks of forklift over a range of widths.



KEY FEATURES & LARGEST SELECTION

Key Features

- *Built to last with welded, heavy-gauge steel and stainless steel.*
- *Nonelectric - they cost nothing to operate.*
- *Pay for themselves by drastically reducing tire repair or replacement costs and keeping vehicles in service.*
- *Easy to use - just move over area to be cleaned.*
- *Covered by lifetime warranty on the magnets.*
- *At use in thousands of manufacturing plants, storage yards, construction sites, airports and even on rough gravel roads.*

Largest Selection in the Industry

Dings co. has the largest selection of magnetic sweepers in the industry, with a style and size to fit every application. In addition to the six models described here, Dings also manufactures more powerful sweepers. These sweepers produce more magnetism over a larger area through a

greater distance. They operate at faster speeds and higher road clearances. For additional information, please contact us. We would be happy to mail you our full-line catalog.

Roadguard

Available in forklift, bracket, or trailer types (with choice of coupling). Also features a convenient release to discharge metal.

Flatguard

Metal debris can be released into removable onboard pans. Extremely durable and ideally suited for rough terrain.

Atlas and Remotias

Operates at fastest speeds and highest road clearances. Convenient handle release or optional cab-mounted switch for remote release.

Atlas FT3-24 with Extended Reach

Ideal for airports, three-unit hitch provides a 24-foot sweeping width in a single pass. Modules hook up in-line for travel to sweeping sites or storage.

LEADING MAGNET MANUFACTURER SINCE 1899

In addition to sweepers, Dings Co. manufactures a full line of magnetic separators for ferrous and nonferrous metals. They protect product from metal contaminants and prevent damage to processing equipment. Reclaiming steel or aluminum, concentrating minerals, and lifting materials are other important uses for Dings magnets.

To help you with your application, Dings Co. has sales engineers located at our manufacturing facility as well as local representatives throughout the U.S. and Canada. They can select and size a Dings magnet to your exact requirements.



4740 W. Electric Ave., Milwaukee, WI 53219
FAX (414) 672-5354
(414) 672-7830