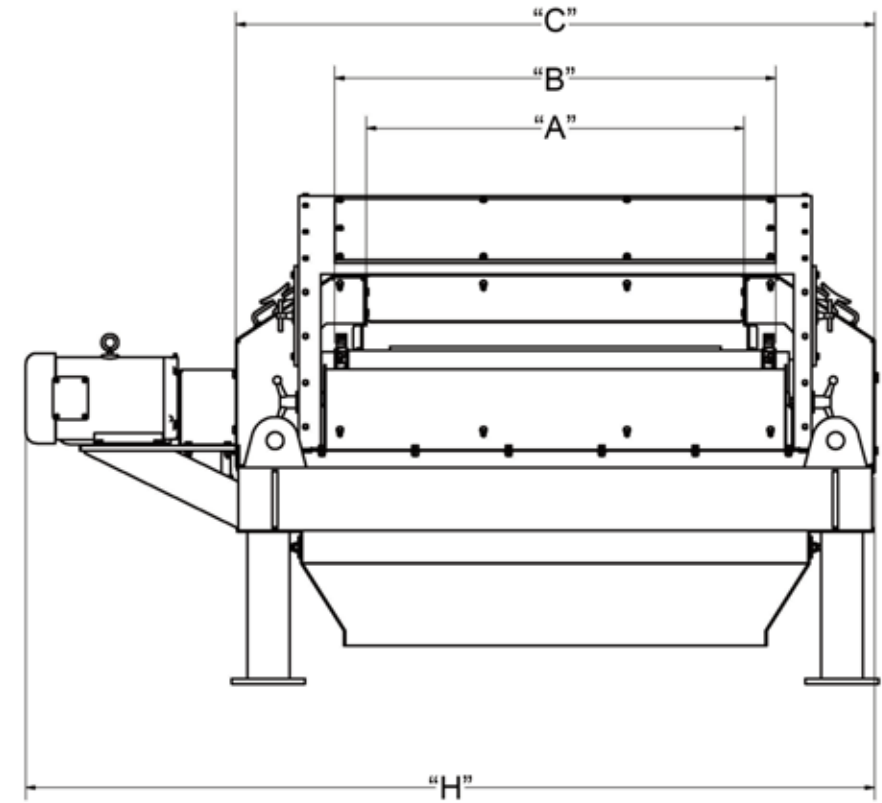


9" EDDY CURRENT SEPARATOR								
WIDTH	"A"	"B"	"C"	"D"	"E"	"F"	"G"	"H"
36"	36"	42"	61"	65"	15"	106.5"	120"	81"
48"	48"	54"	73"	65"	15"	106.5"	120"	93"



THIS MATERIAL IS PROPERTY OF DINGS COMPANY. NO RIGHTS ARE GRANTED TO USE SUCH MATERIAL FOR ANY PURPOSE OTHER THAN (1) PRODUCT EVALUATION OR MAINTENANCE OR (2) THE FURNISHING OF SERVICES AND SUPPLIES TO THE DINGS COMPANY.

TOLERANCE UNLESS OTHERWISE NOTED .000 & .002 FRACTIONS & 1/16" .00 & .05 ANGLES & 1°				
DRAWN BY ADH	SCALE	SHEET SIZE D	DRAWING NUMBER	
DATE 6/3/2013	REFER TO	SHEET 1 of 1	REV #	